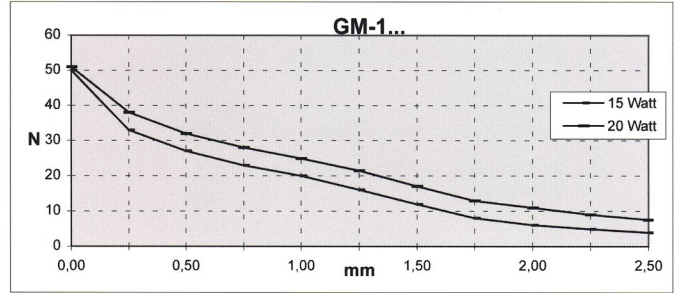


Type GM-1

PUSH AND PULL
EXT. DIA. OF TUBE 10 MM

3010
ELECTROMAGNETIC SOLENOIDS

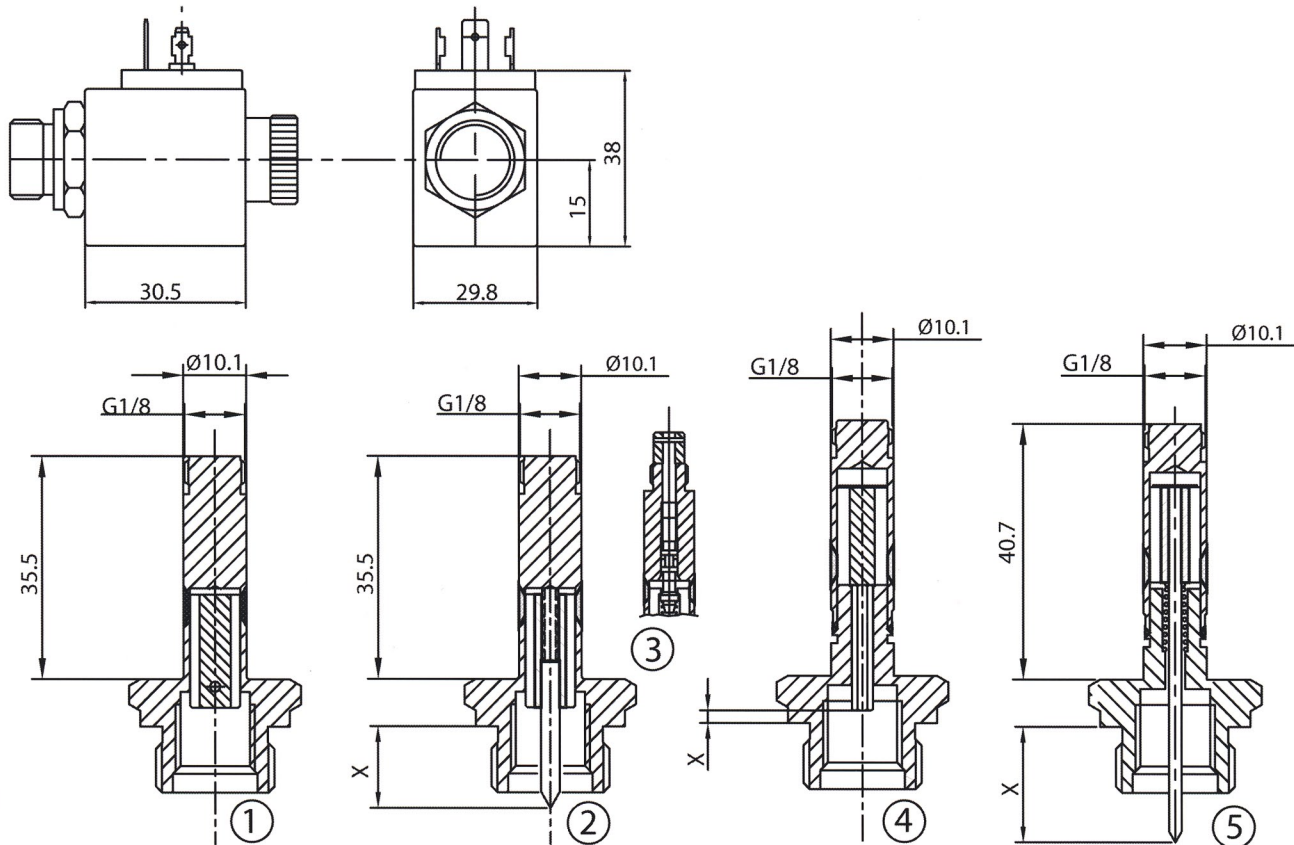
| CHARACTERISTICS OF STANDARDIZED EXECUTIONS | |
|---|------------------------------|
| - other executions are available on request | |
| operation: pulling on/off-code GM-13...; pushing on/off-code GM-10.. | |
| stroke: on request | push rod options : see below |
| manual override: available for pulling version | |
| standardised threads (interface to the valve) | external internal |
| -other variants: on request | 3/4"-16UNF 1/2"-20UNF |
| | 3/4"-16UNF M13x1 |
| | M 18x1,5 M13x1 |
| max dynamic pressure: up to 350 bar | |
| curves of force-stroke: diagrams refer to supply 0,66 Vnom. and stroke back from end stop. Note: curves can be modified according to operating characteristics requested by the valve. | |



| STANDARD COILS - ED 100% - see table 5010 | | | | |
|---|---------------------|---|-------------------|------------------|
| - other voltages, electric powers, insulation class, ED : on request | | | | |
| code of (1) coil | electric connection | supply voltage - V (+/- 10%) available for all executions | nominal power (3) | insulation class |
| C28D*** | DIN43650 | DC: 12; 24 & 21,6 ;98;196 (2) | 15 or 20 W | F, H respect. |
| C28C*** | flying leads | | | |
| C28F*** | faston | | | |
| (1) *** code must be completed by voltage supply and requested power | | | | |
| (2) voltages normally provided for AC supply at 24, 110, 220 with rectifier | | | | |
| (3) holding value at cold coil | | | | |
| ambient temperature: -30° C to +50° C ; max delta T of wiring: 125 °C | | | | |

Technical data are given for information only, without commitment; before ordering ask for confirmation of technical data, in particular on dimensions, performance, pressure.

for all options of plungers, manual overrides and nuts for coils see tab.3100



| EXECUTIONS - dimensions in mm | | 1- pulling, plunger arranged for connection to spool | 2- pulling, with conic end push rod 55-60 Hrc |
|---|---------------------|--|---|
| units are shown in rest position (coil deenergized) | | 3- manual override for pulling versions, operation is by screwing off the knob; to release screw in the knob | 4- pushing, loose push rod |
| dimension X : on request | spring : on request | | 5- pushing, with conic end push rod 55-60 Hrc |