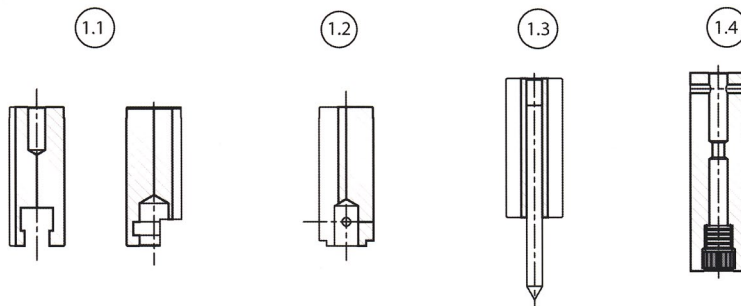


OPTIONS OF SUPPLY

PLUNGERS, MANUAL OVERRIDES AND COIL NUTS

1 PLUNGERS

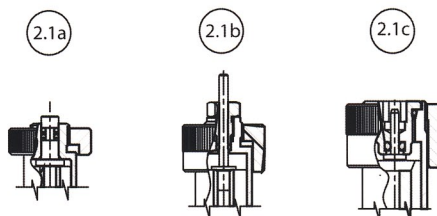
- 1.1 with slot for connection to spool, without seat for spring
- 1.2 with pin connection
- 1.3 with ground conic end, hardness 60 Hrc
- 1.4 with rubber or PTFE sealing element



2 MANUAL OVERRIDES

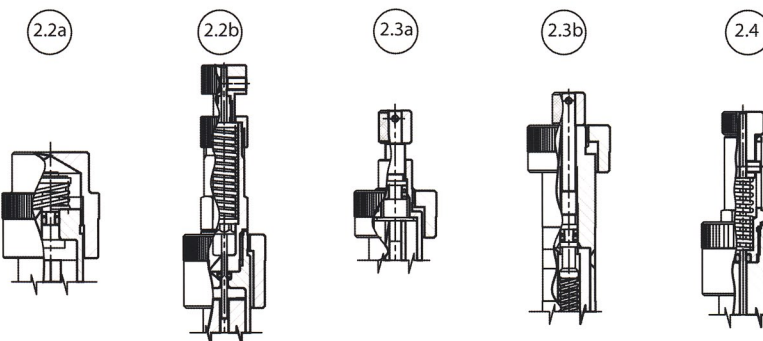
2.1 free return

- 2.1a standard for pushing & push-pull stems
- 2.1b extended
- 2.1c for operation in presence of high pressure



2.2 spring return

- 2.2a 2-position, for pushing & push-pull stems
- 2.2b 3-position for push-pull stems



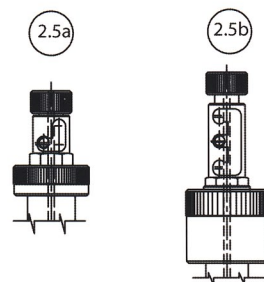
2.4 spring return for pulling stems

2.3 screwed

- 2.3a for pushing stems
- 2.3b for pulling stems

2.5 twist and lock

- 2.5a 2-position, for pushing & pulling stems
- 2.5b 3-position for push-pull stems



3 NUTS FOR COILS

- 3.1 standard
- 3.2 with environmental protection of stem
- 3.3 with electric continuity to coil earth
- 3.4 arranged for lever operation
- 3.5 lockable on stem

