

OPTIONS OF SUPPLY

FOR PROPORTIONAL SOLENOIDS:
AIR BLEED-OFF VALVE, BIAS SPRINGS, MANUAL OVERRIDES

GENERAL REMARKS AND NOTES ON VARIOUS OPTIONAL DEVICES AVAILABLE FOR PROPORTIONAL SOLENOIDS

Air bleed-off valve

Air bleed-off valve is recommended to have an immediate purge of air present in the solenoid at first start-up. Presence of air might cause instability and noise during regulation. Valve is composed by a sphere hold by a screwed plug with hexagonal head of 3 mm. Bleed-off is obtained by loosening the plug by half a turn then waiting the time necessary to have a complete purge of air. At the end of operation plug must be screwed-in to secure sealing of unit.

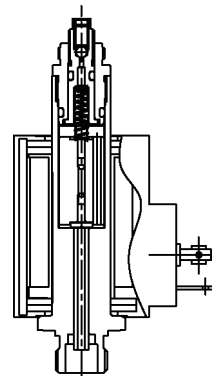
Bias springs

They have a load of some tenth of grams and are assembled inside to solenoid. They keep plunger of solenoid always across to regulation element of valve, allowing quick response times at start up as well a mechanical compensation of dimensional variations of strokes and rest positions.

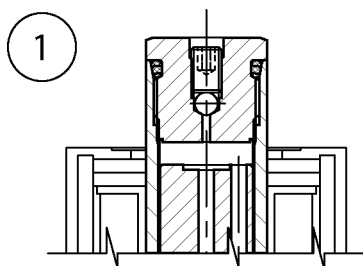
Manual override devices

They are available in screwed execution, for a micrometric adjustment of stroke or in pushing execution, for on-off operation.

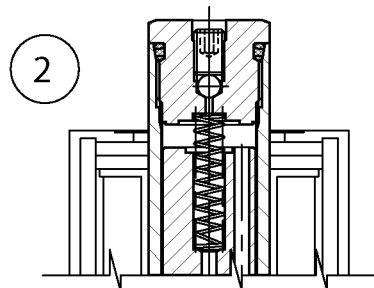
They can be associated to air bleed-off valves and bias springs.



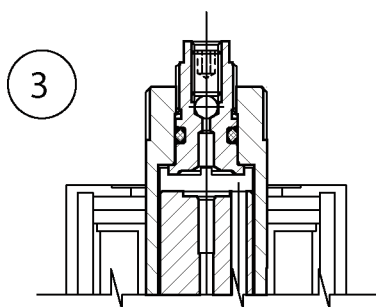
MAIN OPTIONS - other options are available



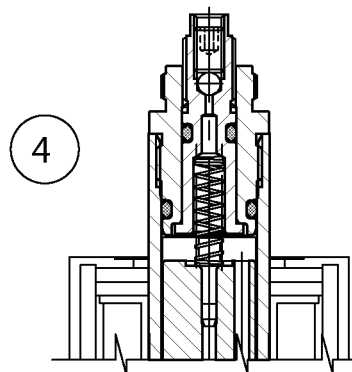
1 AIR BLEED-OFF VALVE



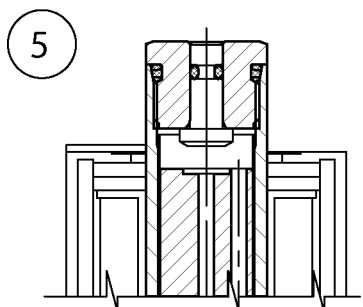
2 AIR BLEED-OFF VALVE PLUS BIAS SPRING



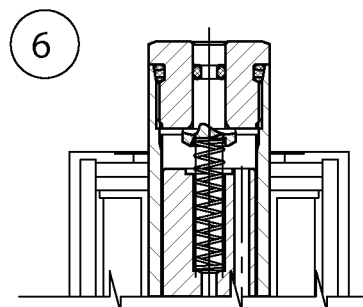
3 MANUAL OVERRIDE OF SCREW TYPE
for micrometric adjustment of stroke & air bleed-off valve



4 MANUAL OVERRIDE OF SCREW TYPE
for micrometric adjustment adjustment of stroke plus bias spring & air bleed-off valve



5 MANUAL OVERRIDE
ON-OFF OPERATION



6 MANUAL OVERRIDE
ON-OFF OPERATION PLUS BIAS SPRING