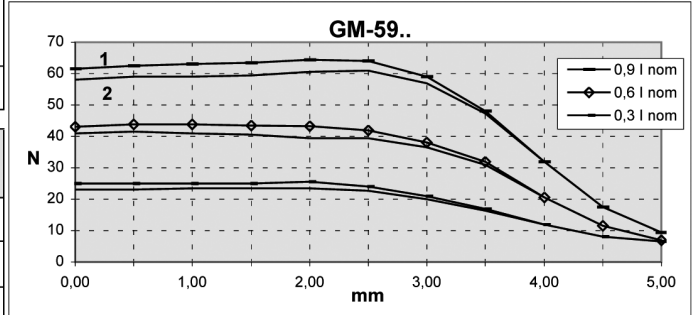
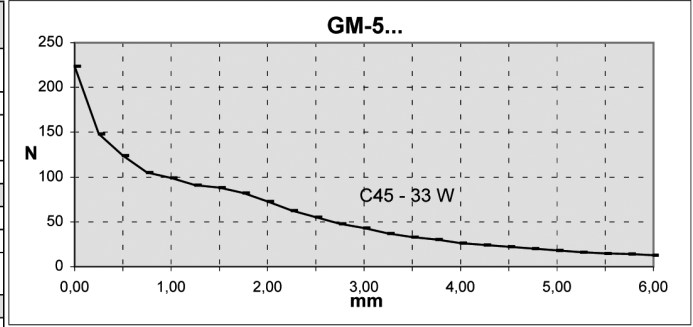


Type GM-5

PUSH, PULL, DOUBLE AND PROPORTIONAL
EXT. DIA. OF TUBE 19 MM

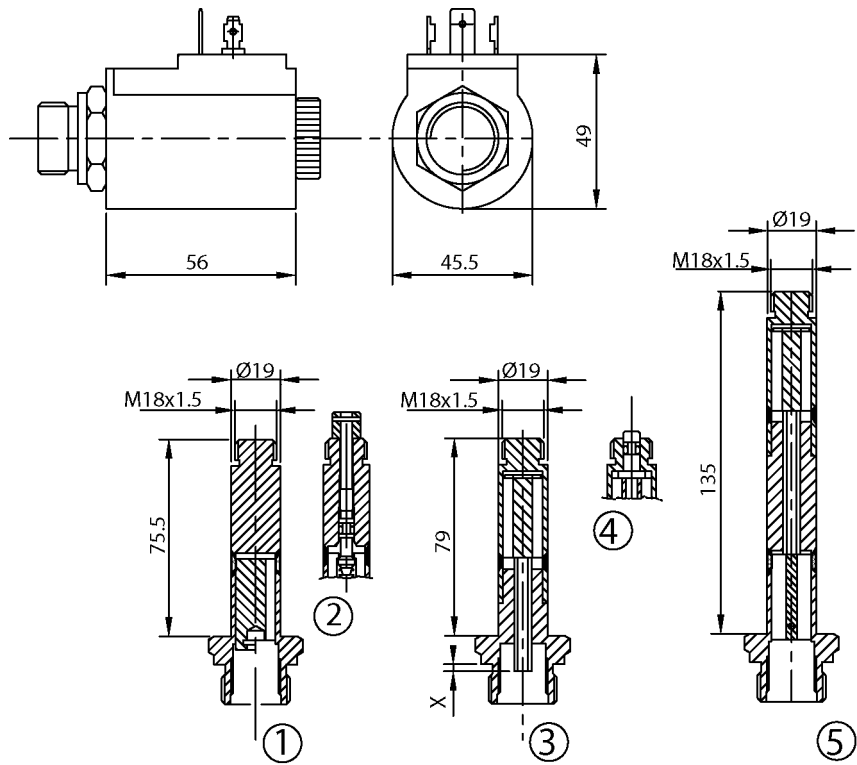
3050
ELECTROMAGNETIC SOLENOIDS

| CHARACTERISTICS OF STANDARDIZED EXECUTIONS | | | | |
|--|---------------------|---|--------------------|------------------|
| - other executions are available on request | | | | |
| operation: pulling on/off-code GM-53... pushing on/off-code GM-50.. | | | | |
| on/off double, pulling and pushing-code GM-56... proportional code GM-59.. | | | | |
| standardised threads | external | internal | external | internal |
| (interface to the valve) | 1 5/16"-12UN | M24x1,5 | M33x2 | M24x1,5 |
| -other variants: on request | 1 1/16"-12UN | ----- | M18x1 | ----- |
| max dynamic pressure: up to 160 and 250 bar | | | | |
| ON/OFF SOLENOIDS | | | | |
| stroke: on request | | push rod options : see below | | |
| manual override: available for all versions | | | | |
| curves of force-stroke: diagrams refer to supply 0,66 Vnom. and stroke back from end stop. Note: curves can be modified according to operating characteristics requested by the valve. | | | | |
| 2-PROPORTIONAL SOLENOIDS - see also tab.3200 | | | | |
| nominal stroke: 2,5 mm - extra strokes on request | | | | |
| air bleed-off valve or manual override: available on request - see tab.3200 | | | | |
| general notes: recommended supply is by closed-loop current with dither or PWM; this supply could produce undesired vibrations on regulation, that are easily damped by providing solenoid plunger with throttling orifices. Coils are plastic encapsulated, ED 100%; they are preferably designed with low resistance and inductance for the best dynamic performance of system. | | | | |
| curves of force-stroke: diagrams refer to different supply of current; curve1 is with stroke back from end, curve2 with stroke forward. Force-stroke curves can be modified on request | | | | |
| STANDARD COILS - ED 100% - see tables 5050 & 5055 | | | | |
| - other voltages (3), electric powers, insulation class, electric terminals, ED : on request | | | | |
| all coils can be supplied with transient suppressor Z-diode moulded-in | | | | |
| code of (1) coil | electric connection | supply voltage - V (+/- 10%) available for all executions | absorbed power (3) | insulation class |
| C45D*** | DIN43650 | DC: 12; 24; 48 | 33 W | H |
| C45K*** | Kostal | & 21,6; 43,2; 98; 196 (2) | 33 W | H |
| (1) *** code must be completed by voltage supply and requested power | | | | |
| (2) voltages normally provided for AC supply at 24, 48, 110, 220-230 with rectifier | | | | |
| (3) executions for direct supply from AC net are available : code C400 e C402 - see tab. 5100 & 5105 to be associated to stems designed for direct supply from AC voltage - see tab. 3055 | | | | |
| ambient temperature: -30° C to +50° C ; max delta T of wiring: 125 °C | | | | |



Technical data are given for information only, without commitment; before ordering ask for confirmation of technical data, in particular on dimensions, performance, pressure.

for all options of plungers, manual overrides and nuts for coils see tab.3100 and 3200



| EXECUTIONS - dimensions in mm | | 1- pulling, plunger arranged for connection to spool | 4- manual override for pushing versions, operation is by pushing the extended pin |
|---|---------------------|--|---|
| units are shown in rest position (coil deenergized) | | 2- manual override for pulling versions, operation is by screwing off the knob; to release screw in the knob | 5- double, push-pull, plunger arranged for connection to spool |
| dimension X : on request | spring : on request | 3- pushing, on-off and proportional, loose push rod | |