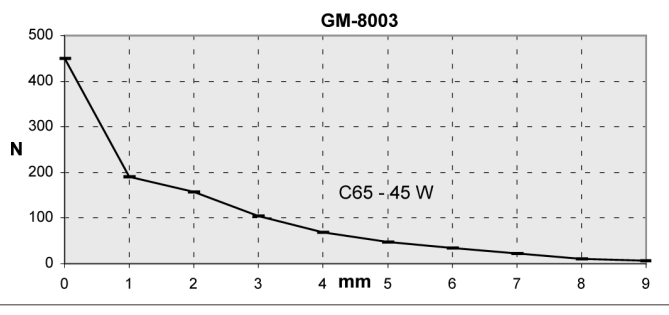
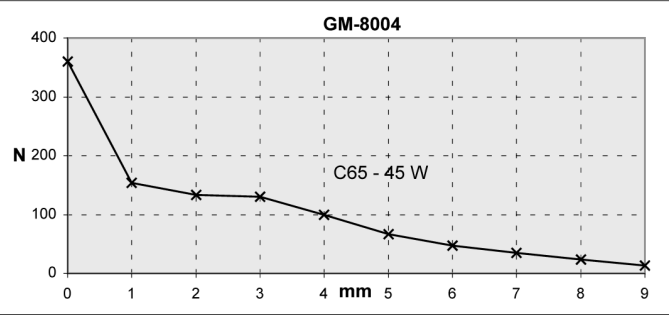


Type GM-8

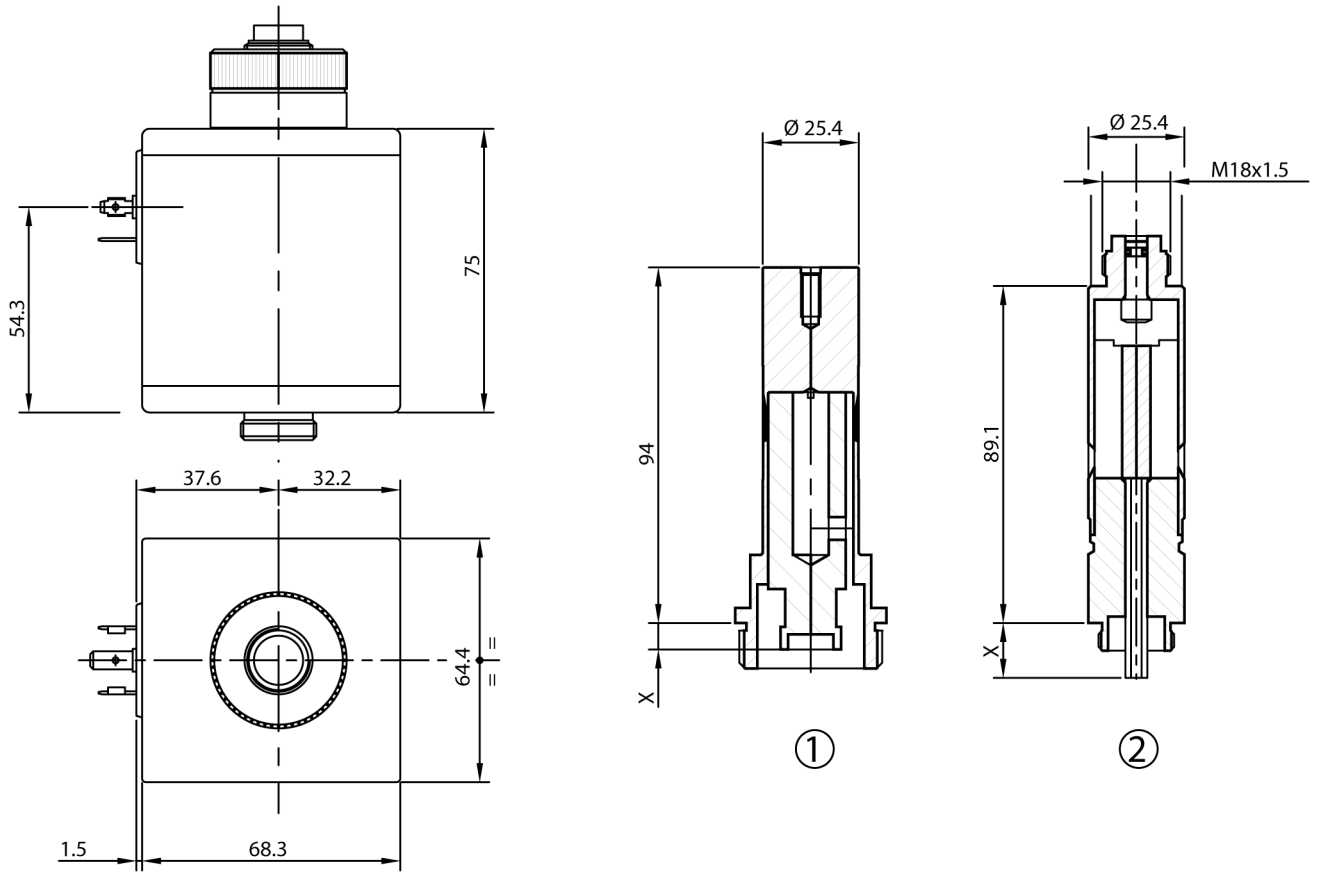
PULL AND PUSH VERSION
EXT. DIA. OF TUBE 25,4 MM

3080
ELECTROMAGNETIC SOLENOIDS

CHARACTERISTICS OF STANDARDIZED EXECUTIONS				
- other executions are available on request				
operation: pulling on/off -code GM-83..., pushing on/off -code GM-80..				
standardised threads (interface to the valve) -other variants: on request	external	internal		
	M22x1,5	-----		
max dynamic pressure: up to 160 bar				
1- ON/OFF SOLENOIDS				
stroke: on request		push rod options : see below		
manual override: available for all versions				
curves of force-stroke: diagrams refer to supply 0,66 Vnom. and stroke back from end stop. Note: curves can be modified according to operating characteristics requested by the valve.				
STANDARD COILS - ED 100% - see table 5080				
- other voltages, electric powers, insulation class, electric terminals, ED : on request all coils can be supplied with transient suppressor Z-diode moulded-in				
code of (1) coil	electric connection	supply voltage - V (+/- 10%) available for all executions	absorbed power (3)	insulation class
C65D***	DIN43650	DC: 12; 24; 48	36 or 45 W	F or H
C65D**X	DIN43650	21,6; 43,2; 98; 196 (2)	60 W	H
(1) *** code must be completed by voltage supply and requested power				
(2) voltages normally provided for AC supply at 24, 48, 110, 220 with rectifier				
(3) holding value at cold coil				
ambient temperature: -30° C to +50° C ; max delta T of wiring: 125 °C				
Technical data are given for information only, without commitment; before ordering ask for confirmation of technical data, in particular on dimensions, performance, pressure.				



for all options of plungers, manual overrides and nuts for coils see tab.3100



EXECUTION pulling (1) and pushing with free push rod (2) - dimensions in mm	dimension X & stroke: on request
units are shown with plunger in position further to coil energizing	interface to the valve : on request