

# Type GM-3

PUSH AND PULL  
EXT. DIA. OF TUBE 14 MM

3030  
ELECTROMAGNETIC SOLENOIDS

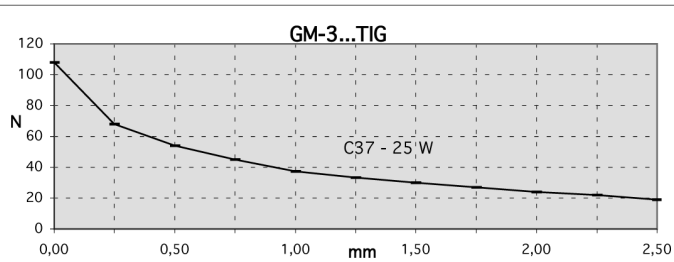
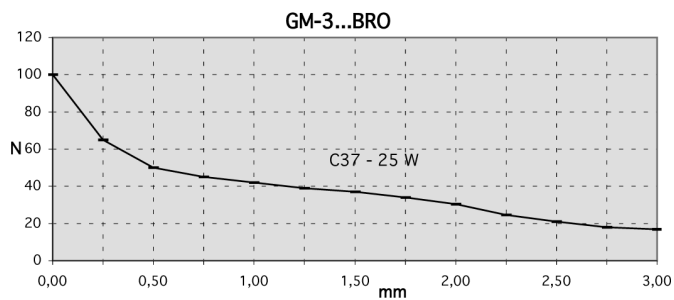
<b>CHARACTERISTICS OF STANDARDIZED EXECUTIONS</b>			
- other executions are available on request			
operation: pulling on/off-code GM-33..., pushing on/off-code GM-30..			
stroke: on request		push rod options : see below	
manual override: available for all versions			
standardised threads		external	internal
(interface to the valve)		3/4"-16 UNF	1/2"-20 UNF
- other variants: on request		M18x1,5	M13x1
max dynamic pressure: up to 250 and 350 bar			
curves of force-stroke: diagrams refer to supply 0,66 Vnom. and stroke back from end stop. Note: curves can be modified according to operating characteristics requested by the valve. Versions GM-3...BRO differ from versions GM-3...TIG for a different magnetic structure of tube			

**STANDARD COILS - ED 100%** - see tables 5030 & 5035  
- other voltages, electric powers, insulation class, electric terminals, ED : on request  
all coils can be supplied with transient suppressor Z-diode moulded-in

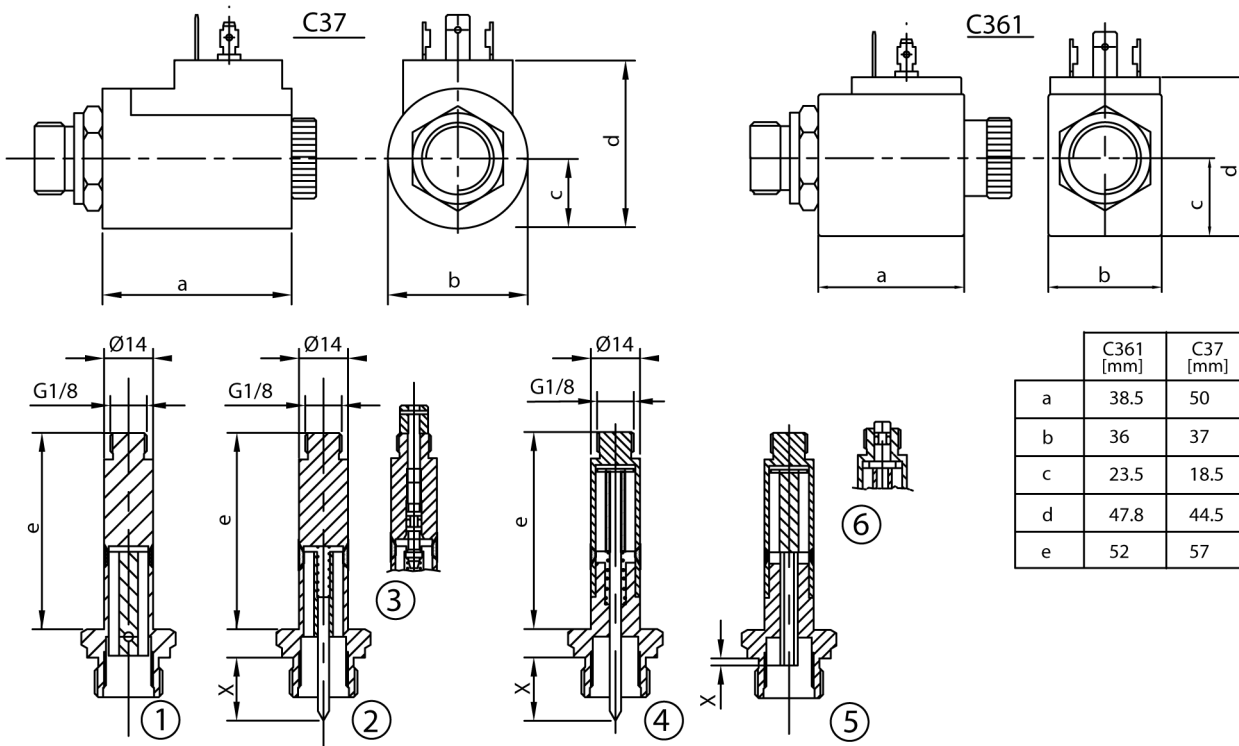
code of (1) coil	electric connection	supply voltage - V (+/- 10%) available for all executions	nominal power (3)	insulation class
C36A**X04	AMP-Junior	DC: 12; 24; 48 & 21,6; 43,2; 98; 196 (2)	22W	H
C36D**X04	DIN43650			
C36C**X04	flying leads			
C37A***	AMP-Junior	DC: 12; 24; 48 & 21,6; 43,2; 98; 196 (2)	20 or 25 W	F, H respect.
C37D***	DIN43650			
C37C***	flying leads			
C37K***	Kostal	AC 50 Hz: 24; 48; 110; 220; 240; 380	35 VA	F
		AC 60 Hz: 24;110; 220	35 VA	F

(1) \*\*\* code must be completed by voltage supply and requested power  
(2) voltages normally provided for AC supply at 24, 48, 110, 220 with rectifier  
(3) holding value at cold coil; inrush power for AC coils is about 3,5 time the holding value  
ambient temperature: -30° C to +50° C ; max delta T of wiring: 125 °C

Technical data are given for information only, without commitment; before ordering ask for confirmation of technical data, in particular on dimensions, performance, pressure.



for all options of plungers, manual overrides and nuts for coils see tab.3100



<b>EXECUTIONS - dimensions in mm</b>	1- pulling, plunger arranged for connection to spool	4- pushing, with conic end push rod 55-60 Hrc
units are shown in rest position (coil deenergized)	2- pulling, with conic end push rod 55-60 Hrc	5- pushing, loose push rod
dimension X : on request	3- manual override for pulling versions, operation is by screwing off the knob; to release screw in the knob	6- manual override for pushing versions, operation is by pushing or by screwing the extended pin